

WIDEBAND WHIP ANTENNA

SB-2.5 Wideband Whip Antenna

Main Features

- Fiber Glass Material.
- MIL-STD-810F
- Better Gain & High Radiation Efficiency

Model SB-2.5 2.5m Wideband Whip Antenna is wide band antenna newly developed by our company, it is suitable for equipping with vehicle borne VHF/UHF radio set in a frequency range from 30MHz to 512MHz. Its prominent feature is wide band matching network within operation band, unnecessary for tuning. This novel design helps the antenna to obtain a better gain and higher radiation efficiency. The antenna sections are made of fiber glass material, which is in high elasticity, shock proof and corrosion proof.

• Electric performance:

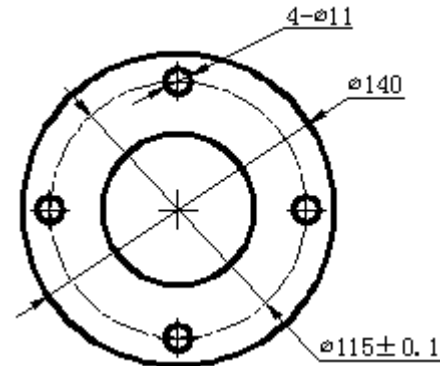
1. Frequency range: 30MHz ~ 512MHz
2. Power capacity: 50W
3. VSWR: $\leq 3.5:1$
4. Gain: (0 ~ 3.5)dBi
5. Type of interface: BNC plug

• Mechanical performance:

1. Length: ≤ 2.5 m
2. Weight: ≤ 3.75 Kg
3. Conform to the requirement for antenna strength in Standard GJB3248-98

• Operating environment:

1. Environmental temperature: $-55^{\circ} \sim +70^{\circ}$
2. Operation environments: Conform to Military standard (GJB367A-2001) 810F



Part No. : SSB2.5-000



SYSDO USA LLC

28255 1/2 Foot Hill Dr
Agoura Hills, CA 91301 USA
Tell: 818.519.4919

SysDo Ltd.

1 Pamomit St. Magshimim 56910, ISRAEL
Tel. 972-3-9338999 Fax. 972-3-9337233
Email: sales@sysdo.net Website www.sysdo.net